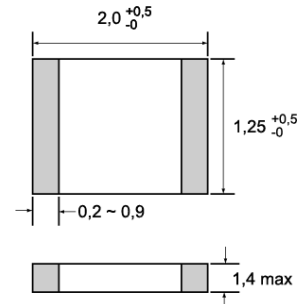


CM121 (Type 0805)

Capacitance range: 100V: 0,5 ... 100 pF
500V: 0,5 ... 20 pF

Capacitance step: 0,5 ... 10 pF 0,1 pF
10,5 ... 100 pF 0,5 pF

Temperature range: -55°C to +125°C



Capacitance (pF)	Tolerance				
	C	D	F	G	J
0,5 - 5,0	±0,25pF	±0,5pF			
5,1 - 10	±0,25pF	±0,5pF	±1,0pF		
10,5 - 12,5	±0,25pF				±5,0%
13,0 - 25,0	±0,25pF			±2,0%	±5,0%
25,5 - 50,0	±0,25pF		±1,0%	±2,0%	±5,0%
50,5 - 100,00	±0,25pF	±0,5%	±1,0%	±2,0%	±5,0%

Temperature coefficient: 10⁻⁶ °C
 1 ... 10 pF 0 ... + 200 ppm/°C Drift of capacitance ± (0,50 % + 0,1 pF)
 10,5 ... 30 pF 0 ... + 100 ppm/°C ± (0,10 % + 0,1 pF)
 ≥ 30,5 pF 0 ... + 50 ppm/°C ± (0,05 % + 0,1 pF)

Insulation resistance: 10 x 10⁴ MOhm min

Order information:

